

Aiface MU-AI-5

Face Recognition Access Control System



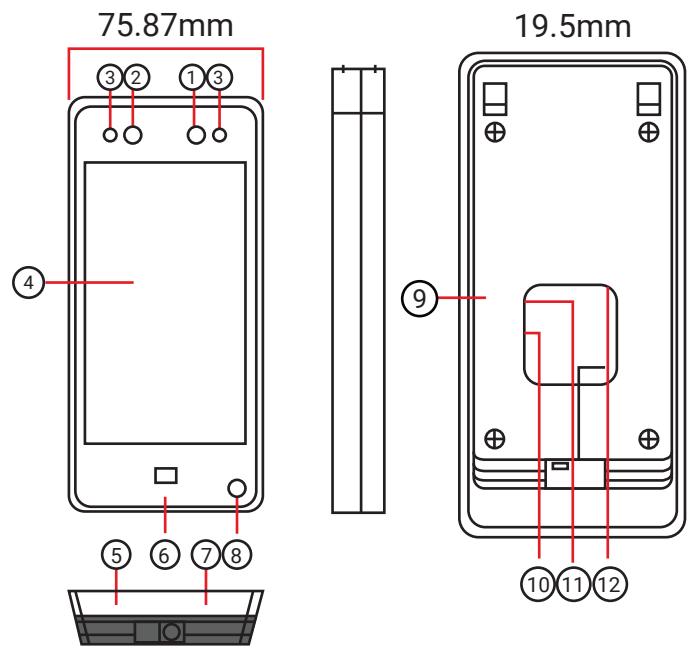
Specification

Face Capacity : 50,000
 Password Capacity : 50,000
 Transactions Capacity : 50,000
 Card Capacity : 50000
 Operation System : Linux
 Screen Size : 5-inch touch Screen
 Face recognition distance : 0.3 to 2m
 Face recognition speed : <0.2s
 Face recognition accuracy : >99.8%
 Network interface : 1*100M ethernet port
 Wi-Fi : Support 2.4G frequency

Interface : Lock output-1, Door contact output-1, Exit button input-1, Alarm input-2, Alarm output-1, Wiegand-34/26, 1in/1 out, RS485-1 USB TypeC - 1, Reset Button-1, Tamper Button-1

Dimensions : 163.4mm x 75.9mm x 19.5mm
 Working temperature : -10°C-55°C
 Working environment : Indoor

Dimensions



- Visible light camera
- Infrared camera
- Infrared fill light
- Display screen
- Speaker
- Card tap area
- USB port
- Indicator light
- Tamper prevention button
- RS232 debugging port
- Reset button
- External cable connection

Disclaimer : Brief specifications are mentioned here. Specifications may change without prior notice. Customers are advised to check with us before purchase. Actual product may differ slightly to that depicted for ongoing product development.