

Aiface Mars+QR



Specification

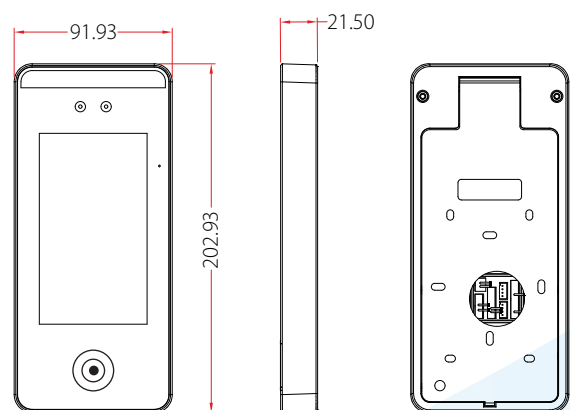
Display : 5-inch Touch Screen
Face Template : 6,000
Card Template : 10,000
Transaction : 200,000
Operation System : Linux
Multiple Verification Methods : Face / QR Code / Card / Password
Hardware :

- 900MHz Dual Core CPU,
- Memory 1G RAM / 8G Flash, 2MP WDR Low Light Camera,
- Barcodes Scanning

Communication : TCP/IP, Wi-Fi (Optional), Wiegand Input/output, RS485
QR Sensor : QR Code, PDF417, Data Matrix, MicroPDF417
Access Control Interface : Electro Magnetic Lock/ Electric Lock, Door Sensor, Exit Button, Auxiliary Input, Auxiliary Output (Alarm)
Optional Function : 13.56MHz IC Card (MF)
Facial Recognition Speed : $\leq 1s$

Power Supply : DC 12V, 3A
Operating Humidity : 10% to 90%
Operating Temperature : -10°C to 45°C
Dimensions (W*H*D) : 91.93 * 202.93 * 21.5 (mm)
Supported Software : eTimeTracklite, eBioServer

Dimension



Disclaimer : Brief specifications are mentioned here. Specifications may change without prior notice. Customers are advised to check with us before purchase. Actual product may differ slightly to that depicted for ongoing product development.