

Aiface Mars + Fingerprint

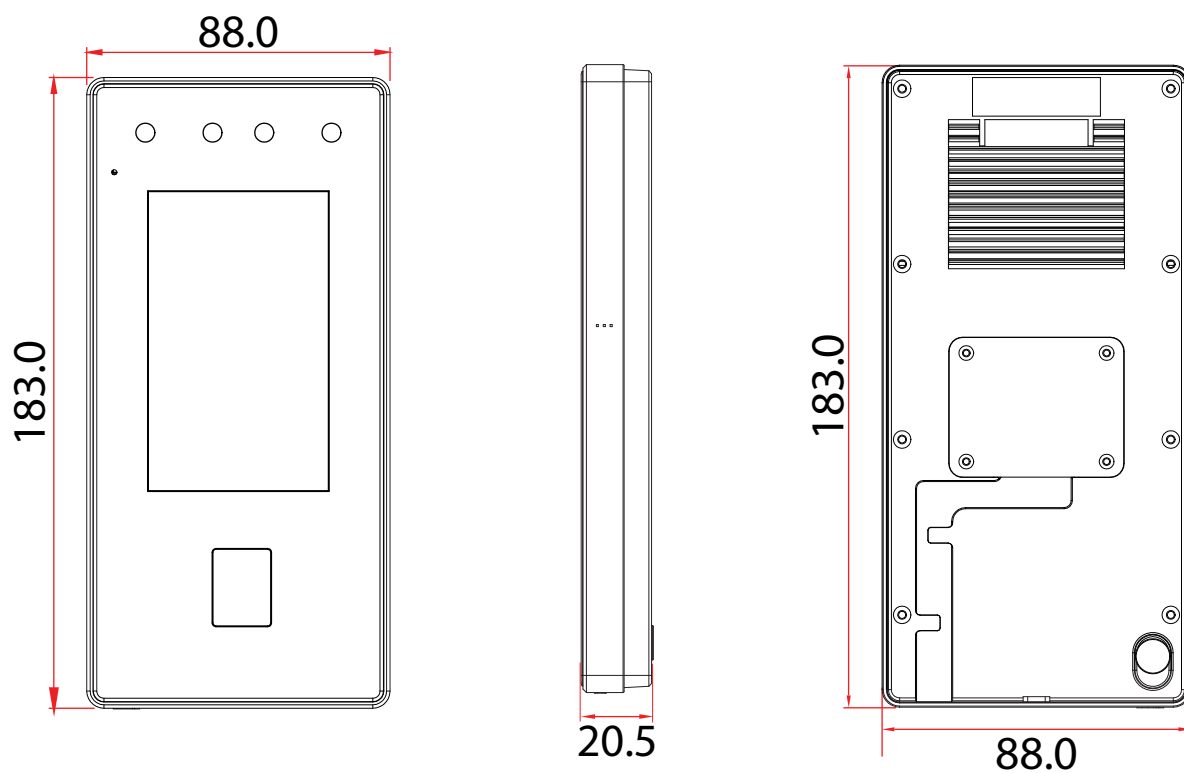


Specification

Display	4-inch color LED touch screen
Camera	2MP binocular camera
Operation System	Linux
Hardware	CPU: Dual Core@1GHz RAM: 1GB ROM: 8GB
Authentication method	Face / Fingerprint / Card/ Password
User Capacity	3,000
Face Template Capacity	3,000
Fingerprint Template Capacity	3,000
Card Capacity	3,000
Transaction Capacity	2,00,000
Biometric Verification Speed	< 0.35s (Facial Recognition) < 0.5s (Fingerprint Recognition)
False Acceptance Rate (FAR) %	≤0.01% (Facial Recognition) ≤0.0001% (Fingerprint)
False Rejection Rate (FRR) %	≤0.02% (Facial Recognition) ≤0.01% (Fingerprint)
Optional Card Type	HID Prox@125 kHz Mifare@13.56 MHz
Communication	TCP/IP, Wiegand (Input & Output),RS485, Wi-Fi (Optional)
Push Data	Yes
Access Control Interface	Electro Magnetic Lock/ Electric Lock, Door Sensor, Exit Button, Alarm Output

Power Supply	DC 12V 3A
Operating Temperature	-5°c to 45°c
Operating Humidity	10% to 90% RH
Dimensions	183 mm*88 mm*20.5 mm (L*W*H)
Supported Software	eTimetracklite Software, ebioServer

Dimension



Disclaimer : Brief specifications are mentioned here. Specifications may change without prior notice. Customers are advised to check with us before purchase. Actual product may differ slightly to that depicted for ongoing product development.